

Precision – Multi-Turn - Potentiometer DMG22 Ze

Central fixing M10 x 0,75 - maintenance-free sliding bearing,
for mechanical adjustment, with resistor element precision wire or hybrid



The Precision – Multi-Turn - Potentiometer DMG22 is offered in the version with precision resistance wire winding or hybrid element.

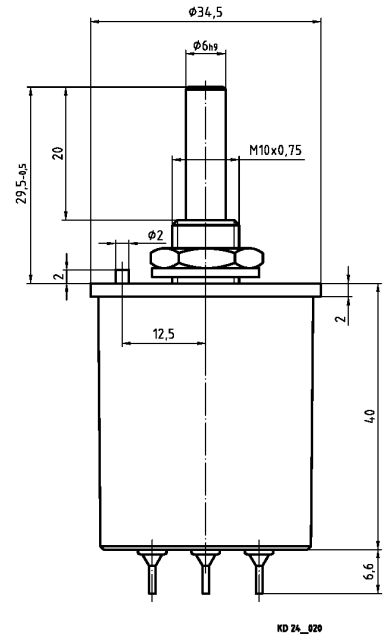
The hybrid element meets the requirements of highest accuracy, an almost endless resolution and an extremely long lifetime. The DMG22 is used as an excellent actual value transmitter for plant and machinery construction, as well as highend setpoint- and actual value transmitter for apparatus construction and toolbuilding.

Mechanical data

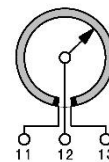
- 1.1 Housing.....: Reinforced glass fibre plastic
- 1.2 Shaft.....: Stainless steel $\phi 6^{h9}$
- 1.3 Bearing.....: Maintenance-free sliding bearing
- 1.4 Resistor element.....: Precision wire winding or hybrid
- 1.5 Slider tap / wiper tap.....: Single
- 1.6 Protection class.....: IP 60
- 1.7 Type of connection.....: According to illustration
- 1.8 Mounted by.....: Central fixing M10 x 0,75
- 1.9 Mechanical rotation angle.....: According to table +10°
- 1.10 Electrical rotation angle.....: According to table
- 1.11 Rotation speed.....: Max. 120 rpm
- 1.12 Torque.....: Till 0,8 Ncm (IP65: till 1,2 Ncm)
- 1.13 Totation load life.....: According to table

Electrical data

- 2.1 Resistance values, standard.....: 1, 2, 5, 10 K-Ohm
- 2.2 Resistance range.....: 1K...100K-Ohm
- 2.3 Resistance tolerance.....: Precision wire $\pm 5\%$, hybrid $\pm 10\%$
- 2.4 Linearity tolerance.....: $\pm 0,25\%$
- 2.5 Insulation resistance.....: 1000 M-Ohm
- 2.6 Test voltage.....: 1000 V
- 2.7 Power rating.....: According to table
- 2.8 Slider load current.....: Precision wire max. 20mA, hybrid element max. 10mA
- 2.9 Temperature range.....: -25°C till +125°C
- 2.10 Temperature coefficient.....: Precision wire winding 50 ppm/°C, hybride 100 ppm/°C




Type		Turn (rotation angle)	Rotation load life	Watt
DMG22 / 10 Ze	Precision wire	10 – turn (3600°)	1 x 10 ⁶	2,0
DMG22 / 10 Ze Hy	Hybrid element		5 x 10 ⁶	
DMG22 / 05 Ze	Precision wire	5 – turn (1800°)	5 x 10 ⁵	1,5
DMG22 / 03 Ze	Precision wire	3 – turn (1080°)	3 x 10 ⁵	1,0




Terminal plan		
Point	Function	Color
11	winding	brown
12	slider	white
13	winding	green


Option – type of connection



Solder connection
DMG22



Terminal block
DMG22



Cable connection 3m
DMG22

Options

- Protection class IP65
- Protection class IP67
- Shaft and central fixing in inch
- Aluminium housing

Hy = Resistor element hybrid (not available in 2K-Ohm)

Sheet #: KE2410.docx

Amendment/ Print: 10.03.21 / 10.03.21

ALTMANN Potentiometer

Herringhauser Straße 29
32051 Herford - Germany

P.O. Box 11 42
32001 Herford - Germany

Phone: 05221/3404-0
Fax : 05221/3404-29

www.potentiometer.de
eMail: info@potentiometer.de

Subject to technical
amendments Form.#: 00000000