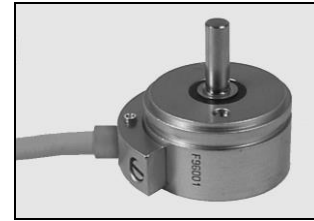


Precision - Wirewound - Potentiometer DP113 Sy

Synchro-flange 13

A potentiometer for harsh industrial conditions. The noble metal winding provides the highest protection against environmental conditions. The multiple taper ensures a safe function. Available with solder connection as an option. Due to the ball bearing axial loads of 5 kp can be taken up by the shaft in continuous operation. The potentiometer is through-rotating, but can also be provided with stops on request. Optionally it can be provided with an oil filling. To protect it against environmental influences we offer installation in a protective housing. Different adapter plates for attachment facilitate the installation at the place of use. Shafts with special lengths can be manufactured individually for single units.



cable connection

- Mechanical data**
- 1.1 Housing..... : Aluminium
 - 1.2 Shaft..... : Stainless steel $\varnothing 6^{h8}$
 - 1.3 Bearing..... : Ball bearing
 - 1.4 Resistor element..... : Up to 5 K-Ohm noble metal winding
: > 5 K-Ohm precision wire winding
 - 1.5 Slider tap / wiper tap..... : Noble metal, multiple
 - 1.6 Housing protection class..... : IP 64
 - 1.7 Type of connection..... : According to table
 - 1.8 Mounted by..... : Clamping claws
 - 1.9 Electrical rotation angle..... : $345^\circ -1^\circ +2^\circ$
 - 1.10 Mechanical rotation angle..... : Standard throughrotation
 - 1.11 Rotation speed..... : Max. 60 rpm
 - 1.12 Torque..... : 0,3 to 0,4 Ncm
 - 1.13 Rotation load life..... : 10×10^6 slider path (360°)
 - 1.14 End-stop strength..... : 50 Ncm

- Electrical data**
- 2.1 Resistance values, standard..... : 1, 2, 5, 10 K-Ohm
 - 2.2 Resistance values, max. possible... : 50 K-Ohm
 - 2.3 Resistance tolerance..... : $\pm 3\%$
 - 2.4 Lowest starting resistance..... : 0,05% of overall resistance
 - 2.5 Linearity tolerance..... : $\pm 0,3\%$
 - 2.6 Insulation resistance..... : 20 M-Ohm
 - 2.7 Test voltage..... : 500 V, 50 Hz
 - 2.8 Operating voltage..... : Max. 50 V
 - 2.9 Power rating..... : Max. 2 Watt
 - 2.10 Slider load current..... : 1 mA (max., load life)
 - 2.11 Temperature range..... : -50°C till $+100^\circ\text{C}$
 - 2.12 Temperature coefficient..... : 20 ppm/ $^\circ\text{C}$

Options

- Short-circuit tracks
- Centre tap
- Rotation angle, electrical and Mechanical
- Resistance tolerance: $\pm 1\%$
- Shaft: special length, continuous
- Stops (rotation angle max. 345°)
- Slip coupling
- Oil filling
- Protection class IP65
- Protection class IP67 with cable
- Connection only

Type
DP113 Sy KL
DP113 Sy Ka

Centre tap
$+0,5^\circ / -0,5^\circ$
$+1,5^\circ / -1,5^\circ$
$+3^\circ / -3^\circ$
$+6^\circ / -6^\circ$

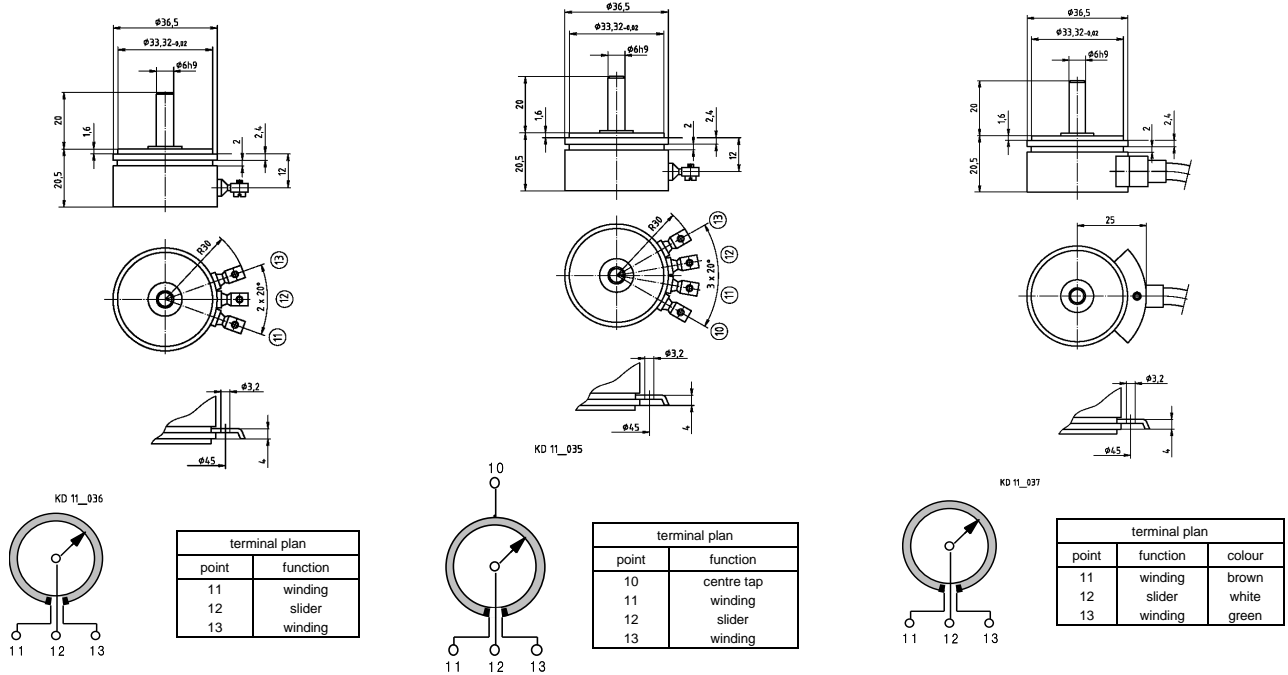
Other types

- Multiple version
- Cable connection
- Clamp connection
- Integrated measuring transducer 0/4...20 mA

Options	Torque
Standard	till 0,4 Ncm
Oil filling	till 2,5 Ncm
Sensor	till 0,4 Ncm
Shaft on both sides	till 2,0 Ncm

Accessories

- Protective housing
- Adapter plate
- Bellows coupling
- Pin coupling
- Microswitch
- Rotary knob
- Scale



DP113 Sy KL
Standard

DP113 Sy KL
+ Centre tap

DP113 Sy Ka
Standard

Sheet #: KE1121.docx

Amendment/ Print: 30.09.19 / 30.09.19