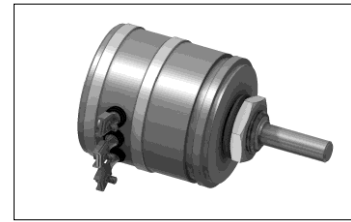


This robust Precision Wirewound Potentiometer is specifically designed for the use as manually adjustable potentiometer (setpoint adjuster) in harsh industrial conditions (plant and machinery construction).

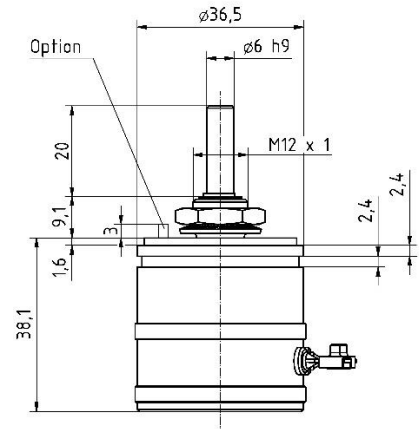
Various scales and control knobs can be supplied as accessories.



0404-DP113 Ze Hv KL-00789-2

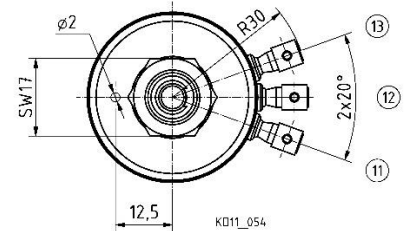
mechanical data

- 1.1 housing..... : aluminium
- 1.2 shaft..... : stainless steel $\phi 6^{h9}$
- 1.3 bearing..... : maintenance-free sliding bearing
- 1.4 resistor element..... : precision wire winding
- 1.5 slider tap / wiper tap..... : noble metal, single
- 1.6 housing protection class..... : IP 64
- 1.7 type of connection..... : clamp connection
- 1.8 mounted by..... : central fixing M12 x 1
- 1.9 electrical rotation angle..... : according to table
- 1.10 mechanical rotation angle..... : according to table
- 1.11 rotation speed..... : max. 60 rpm
- 1.12 torque..... : reset 5 Ncm on average
- 1.13 spring reset..... : central position
- 1.14 rotation load life..... : 1×10^5 slider path
- 1.15 end-stop strength..... : 150 Ncm



electrical data

- 2.1 resistance values, standard..... : 1, 2, 5, 10 K-Ohm
- 2.2 resistance values, max. possible.. : according to table
- 2.3 resistance tolerance..... : $\pm 3\%$
- 2.4 lowest starting resistance..... : 0,05% of overall resistance
- 2.5 linearity tolerance..... : $\pm 0,3\%$
- 2.6 insulation resistance..... : 20 M-Ohm
- 2.7 test voltage..... : 500 V, 50 Hz
- 2.8 operating voltage..... : max. 50 V
- 2.9 power rating..... : max. 2 Watt
- 2.10 slider load current..... : 1 mA (max., load life)
- 2.11 temperature range..... : -50°C till $+100^\circ\text{C}$
- 2.12 temperature coefficient..... : 20 ppm/ $^\circ\text{C}$



| Basic type/ Construction set | Type | Options | | | |
|---------------------------------|------------------------|------------------|---------------------------|---------------------------|------------------------|
| | | Spring reset | Electrical rotation angle | Mechanical rotation angle | Resistance values max. |
| Basic type | DP113 Ze Hv Ff KL | | | | |
| Construction set | DP113 Ze Hv Ff 2 x 60° | Central position | 2 x 60° $\pm 1^\circ$ | 2 x 62° $\pm 1^\circ$ | 20 K-Ohm |
| Construction set | DP113 Ze Hv Ff 2 x 90° | | 2 x 90° $\pm 1^\circ$ | 2 x 92° $\pm 1^\circ$ | 30 K-Ohm |
| Construction set | DP113 Ze Hv Ff 180° | Left-side-fixing | 180° $\pm 1^\circ$ | 184° $\pm 1^\circ$ | 30 K-Ohm |

options

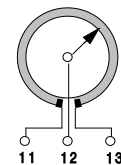
- short-circuit tracks
- centre taps
- resistance tolerance: $\pm 1\%$
- shaft: special length, continuous
- slip coupling
- protection class IP65
- oil filling

accessories

- protective housing
- adapter plate
- bellows coupling
- pin coupling
- micro switch
- rotary knob
- scale

other types

- multiple version
- cable connection
- integrated measuring transducer
- 0/4...20 mA or 0...10VDC



| terminal plan | |
|---------------|-----------|
| point | function |
| 11 | winding 1 |
| 12 | slider 1 |
| 13 | winding 1 |