

# Precision - Wirewound - Potentiometer DP120 Ze KL



Central fixing M12x1

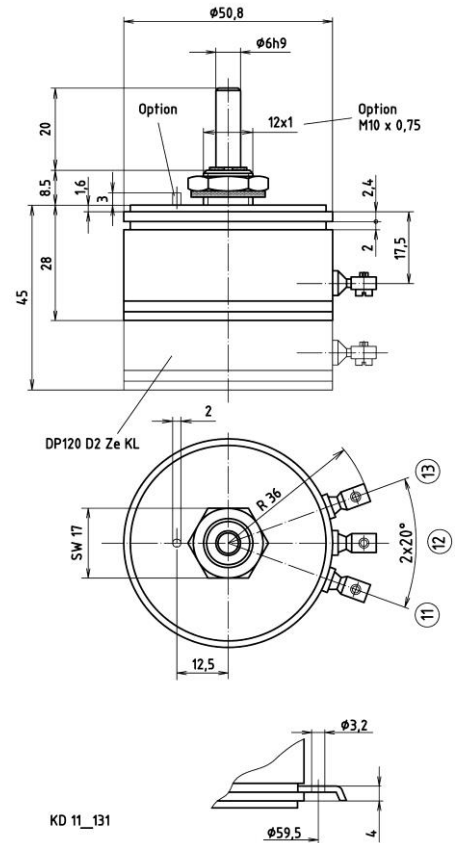
A potentiometer for harsh industrial conditions. The noble metal winding provides the highest protection against environmental conditions. The multiple taper ensures a safe function. Available with solder connection as an option. Due to the ball bearing axial loads of 50 N can be taken up by the shaft in continuous operation. The potentiometer is through-rotating, but can also be provided with stops on request. To protect it against environmental influences, we offer installation in a protective housing. Different adapter plates for attachment facilitate the installation at the place of use. Shafts with special lengths can be manufactured individually for single units.

## mechanical data

- 1.1 Housing.....: Aluminium
- 1.2 Shaft.....: Stainless steel  $\varnothing 6^{h9}$
- 1.3 Bearing.....: According to table
- 1.4 Resistor element.....: Noble metal winding
- 1.5 Slider tap / wiper tap.....: Noble metal, multiple
- 1.6 Protection class.....: IP 64
- 1.7 Type of connection.....: Clamp connection
- 1.8 Mounted by.....: Central fixing M12x1
- 1.9 Electrical angle of rotation.....: 345°
- 1.10 Mechanical angle of rotation.....: Standard throughrotation
- 1.11 Rotation speed.....: Max. 60 rpm
- 1.12 Torque (M12).....: Till 0,4 Ncm (D2: max. 1,0 Ncm)
- 1.13 Torque (M10).....: Till 0,8 Ncm
- 1.14 Rotation load life.....: 10 x 10<sup>6</sup> slider path (360°)

## Electrical data

- 2.1 Resistance values, standard.....: 1, 2, 5, 10 K-Ohm
- 2.2 Resistance values,max.possible...: 90 K-Ohm
- 2.3 Resistance tolerance.....:  $\pm 3\%$
- 2.4 Lowest starting resistance.....: 0,05% of overall resistance
- 2.5 Linearity tolerance.....:  $\pm 0,3\%$
- 2.6 Insulation resistance.....: 20 M-Ohm
- 2.7 Test voltage.....: 500 V, 50 Hz
- 2.8 Operating voltage.....: Max. 50 V
- 2.9 Power rating.....: Max. 3 Watt
- 2.10 Slider load current.....: 1 mA (max., life)
- 2.11 Temperature range.....: -50°C till +100°C
- 2.12 Temperature coefficient.....: 20 ppm/°C



Option: Indexing pin

## Options

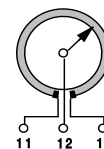
- Short-circuit tracks
- Centre tap
- Rotation angle, electrical and mechanical
- Resistance tolerance:  $\pm 1\%$
- Shaft: special length, continuous
- Stops (rotation angle max. 350°)
- Slip coupling
- Protection class IP65
- Protection class IP67 with cable connection only
- Central fixing M10x0,75

## Accessories

- Protective housing
- Adapter plate
- Bellows coupling
- Pin coupling
- Microswitch
- Rotary knob
- Scale

## Other types

- Multiple version
- Cable connection
- Integrated measuring transducer:  
0 / 4...20 mA or 0...10 VDC



terminal plan	
point	function
11	winding
12	slider
13	winding

Type	Central fixing		Bearing
DP120 Ze KL	M 12 x 1	Standard	Ball bearing
DP120 D2 Ze KL	M 12 x 1	Standard	Ball bearing
Central fixing M10x0,75	M 10 x 0,75	Option	Ball and sliding bearing

Sheet #: KE1166.docx

Amendment/ Print: 10.05.21 / 10.05.21

**ALTMANN** Potentiometer

Herringhauser Straße 29  
32051 Herford - Germany

P.O. Box 11 42  
32001 Herford - Germany

Phone: 05221/3404-0  
Fax : 05221/3404-29

www.potentiometer.de  
eMail: [info@potentiometer.de](mailto:info@potentiometer.de)

Subject to technical  
amendments Form.#: 00000000