

**Mechanical data**

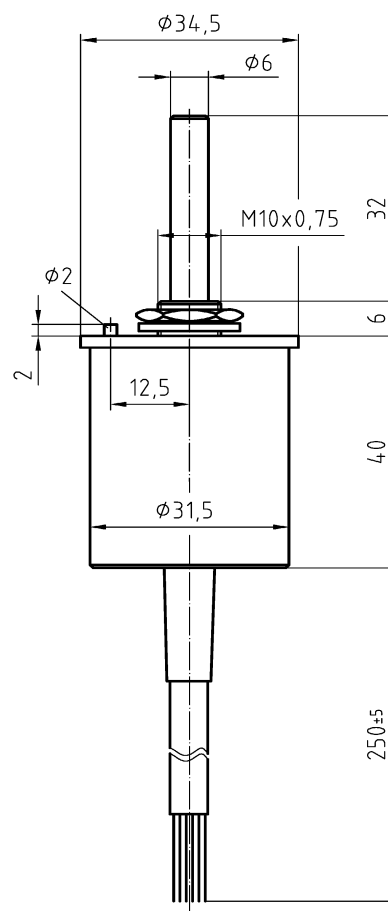
- 1.1 Housing..... : Glass fibre reinforced plastic
- 1.2 Shaft..... : Plastic  $\varnothing 6$ , L = 32
- 1.3 Type of connection..... : Cable connection
- 1.4 Fixing element..... : Central fixing M10 x 0,75
- 1.5 Mechanical rotation angle..... : 300°
- 1.6 Electrical rotation angle..... : 270°
- 1.7 Torque..... : < 4,0 Ncm
- 1.8 Life cycle..... : 15.000 cycles
- 1.9 Shock resistance ..... : 80 Ncm
- 1.10 Temperature range..... : -25° up to +70°C

**Electrical data**

- 2.1 Resistance value..... : 4,7 K-Ohm
- 2.2 Resistance tolerance..... :  $\pm 20\%$
- 2.3 Insulation resistance ..... : 50 G-Ohm
- 2.4 Test voltage..... : 3 KV

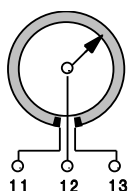
**Electrical switch data**

- 3.1 Switch data..... : 4 A / 250 VAC



KK08042\_01

**Terminal plan  
 clockwise function**



Point	Functions	Colour	Pin
11	winding	green	5
12	slider	white	4
13	winding	brown	3
14	switch	yellow	1
15	free	rose	6
16	closer	grey	2

Sheet #: KE080422

Amendment/ Print: 27.08.19 / 27.08.19

Order #: 106731

**ALTMANN** Potentiometer

Herringhauser Straße 29  
 32051 Herford - Germany

P.O. Box 11 42  
 32001 Herford - Germany

Phone: 05221/3404-0  
 Fax : 05221/3404-29

www.potentiometer.de  
 eMail: [info@potentiometer.de](mailto:info@potentiometer.de)

Subject to technical  
 amendments Form.#: 00000000