

Precision Conductive Plastic Potentiometer LPT18 St / Lt



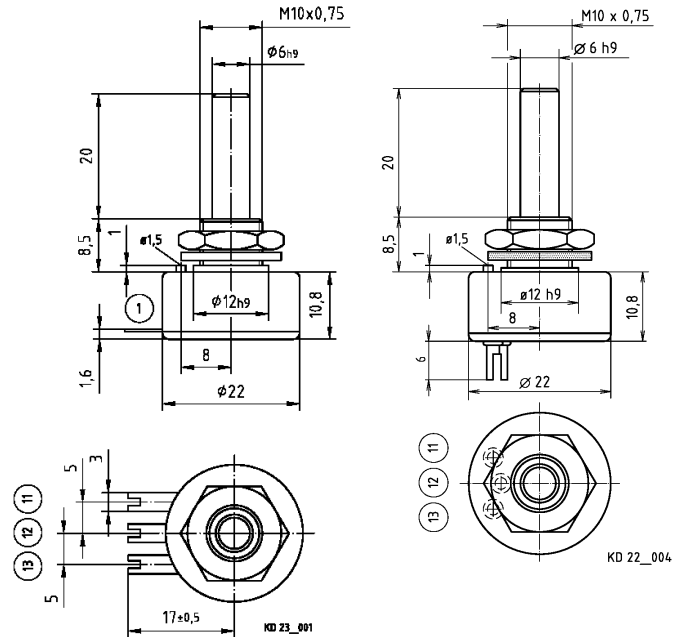
Plug or solder connection, Maintenance-free sliding bearing

Mechanical Data

- 1.1 Housing.....: Reinforced glass fibre plastic
- 1.2 Shaft.....: Stainless steel $\phi 6^{h9}$
- 1.3 Bearing.....: Maintenance-free sliding bearing
- 1.4 Resistor element.....: Conductive plastic
- 1.5 Slider tap / wiper tap.....: Noble metal, multiple
- 1.6 Housing protection class.....: IP 60
- 1.7 Type of connection.....: According to table
- 1.8 Mounted by.....: Central fixing M10 x 0,75
- 1.9 Mechanical rotation angle.....: According to table
- 1.10 Electrical rotation angle.....: According to table
- 1.11 Rotation speed.....: Max. 500 rpm
- 1.12 Torque.....: Till 1,5 Ncm
- 1.13 Rotation load life.....: 1 x 10⁶ slider path (360°)
- 1.14 End-stop strength.....: 50 Ncm

Electrical Data

- 2.1 Resistance values, standard.....: According to table
- 2.2 Resistance tolerance.....: According to table
- 2.3 Linearity tolerance.....: $\pm 2\%$
- 2.4 Insulation resistance.....: 20 M-Ohm
- 2.5 Test voltage.....: 500 V, 50 Hz
- 2.6 Power rating.....: Max. 1 Watt
- 2.7 Slider load current.....: 1 mA (max., load life)
- 2.8 Temperature range.....: -20 till +100°C
- 2.9 Temperature coefficient.....: ± 500 ppm/°C



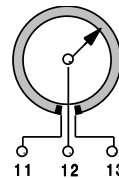
LPT18 St

LPT18 Lt

Attention!

Soldering time: max. 5 sec
Soldering temperature: max. 350°

Type	Connection
LPT18 St	plug connection
LPT18 Lt	solder connection



Terminal plan

Point	Function
11	beginning
12	winding
13	end

Resistance	Electr. rotation angle	Tolerance	Mechan. rotation angle	Application purpose
1K	320°	15%	320°	voltage divider
2K	320°	15%	320°	voltage divider
10K	270°	10%	280°	voltage divider

Other values upon request.

Options

Shaft: special length, special versions
Torque increased: up to 12 Ncm
Protection class upto IP67, shaft-side
Protection class upto IP67* complete

Accessories

Protective housing
Bellows coupling
Slip coupling
Scale 0 till 100%
Rotary knob
Terminal wires

* Potentiometer housing encapsulated, protection class IP65/67, connections are free.
Completely encapsulated potentiometers are supplied with cable and protective housing.