

Precision – Multi-Turn - Potentiometer DMG23 Ze

Central fixing M10 x 0,75, synchro flange 13, maintenance-free sliding bearing, for mechanical adjustment, hybrid element



The series DMG23 is equipped with a maintenance-free sliding bearing.

The Multi-Turn - Potentiometer is a precise, highly accurate setpoint- and actual value transmitter for harsh industrial conditions.

With the optional protection class IP65 the DMG23 is especially well suited for the use in adverse environmental conditions.



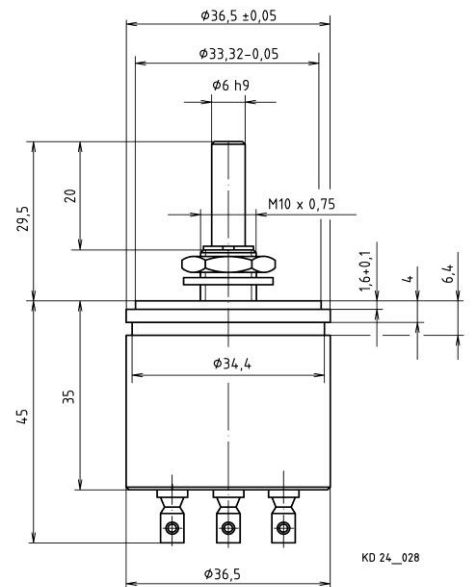
51640010

mechanical data

- 1.1 housing..... : aluminium
- 1.2 shaft..... : stainless steel $\phi 6^{h8}$
- 1.3 bearing..... : maintenance-free sliding bearing
- 1.4 resistor element..... : precision wire winding or hybrid element
- 1.5 slider tap / wiper tap..... : noble metal
- 1.6 housing protection class : IP 62
- 1.7 type of connection..... : according to illustration
- 1.8 mounted by..... : central fixing M10 x 0,75
- 1.9 mechanical rotation angle..... : according to table +10°
- 1.10 electrical rotation angle..... : according to table
- 1.11 rotation speed..... : max. 120 rpm
- 1.12 torque..... : till 0,8 Ncm (at IP65 till 1,5 Ncm)
- 1.13 rotation load life..... : 1 x 10⁶ (Hy=5 x 10⁶) slider path

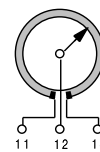
electrical data

- 2.1 resistance values, standard..... : 1, 2, 5, 10 K-Ohm
- 2.2 resistance range..... : 1K...100K-Ohm
- 2.3 resistance tolerance..... : ± 5% precision wire, ± 10% hybrid
- 2.4 linearity tolerance..... : ± 0,25 %
- 2.5 insulation resistance..... : 1000 M-Ohm
- 2.6 test voltage..... : 1000 V
- 2.7 power rating..... : max. 2 Watt
- 2.8 slider load current..... : precision wire max. 20mA, hybrid element max.10mA
- 2.9 temperature range..... : -25°C till +125°C
- 2.10 temperature coefficient..... : 150 ppm/°C



Type		Turn (rotation angle)	Watt
DMG23 / 10 Ze	precision wire	10 – turn (3600°)	2,0
DMG23 / 10 Ze Hy	hybrid element		
DMG23 / 05 Ze	precision wire	5 – turn (1800°)	1,5
DMG23 / 03 Ze	precision wire	3 – turn (1080°)	1,0

terminal plan

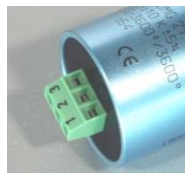


point	function	colour
11	winding 1	brown
12	slider 1	white
13	winding 1	green

Option – type of connection



solder connection
DMG23



terminal block
DMG23



cable connection 3m
DMG23

Options

protection class IP65
protection class IP67
shaft and central fixing in inch
terminal wires

For your information!

Please note that because of missing material availability the wiper could be C7521 material instead of C7701. 25.08.22

Hy = resistor element hybrid (not available in 2K-Ohm)

Sheet #: KE2412

Amendment/ Print: 29.08.22 / 29.08.22

ALTMANN Potentiometer

Herringhauser Straße 29
32051 Herford - Germany

P.O. Box 11 42
32001 Herford - Germany

Phone: 05221/3404-0
Fax : 05221/3404-29

www.potentiometer.de
eMail: info@potentiometer.de

Subject to technical
amendments Form.# 00000000