

# Precision - Multi-Turn - Potentiometer DMG22 Ze

Central fixing M10 x 0,75 - maintenance-free sliding bearing,  
for mechanical adjustment, with resistor element precision wire or hybrid



The Precision - Multi-Turn - Potentiometer DMG22 is offered in the version with precision resistance wire winding or hybrid element.

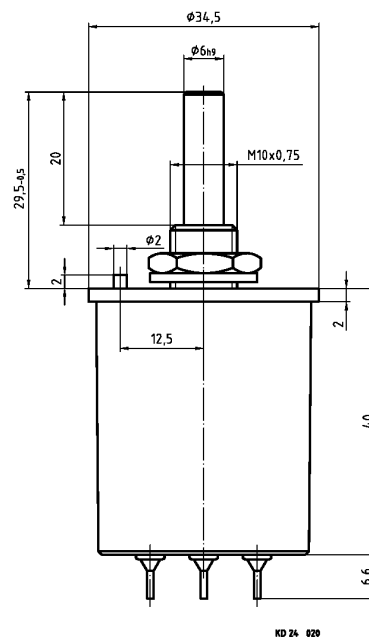
The hybrid element meets the requirements of highest accuracy, an almost endless resolution and an extremely long lifetime. The DMG22 is used as an excellent actual value transmitter for plant and machinery construction, as well as highend setpoint- and actual value transmitter for apparatus construction and toolbuilding.

### Mechanical data

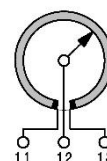
- 1.1 Housing.....: Reinforced glass fibre plastic
- 1.2 Shaft.....: Stainless steel  $\phi 6^{h9}$
- 1.3 Bearing.....: Maintenance-free sliding bearing
- 1.4 Resistor element.....: Precision wire winding or hybrid
- 1.5 Slider tap / wiper tap.....: Single
- 1.6 Protection class.....: IP60
- 1.7 Type of connection.....: see illustration
- 1.8 Mounted by.....: Central fixing M10x0,75
- 1.9 Mechanical rotation angle.....: see table +10°
- 1.10 Electrical rotation angle.....: see table
- 1.11 Rotation speed.....: max. 120 rpm
- 1.12 Torque.....: max. 0,8 Ncm (IP65 max. 1,2 Ncm)
- 1.13 Rotation load life.....: see table

### Electrical data

- 2.1 Resistance values, standard.....: 1, 2, 5, 10 K-Ohm
- 2.2 Resistance range.....: 1K ... 100 K-Ohm
- 2.3 Resistance tolerance.....: Precision wire  $\pm 5\%$ , hybrid  $\pm 10\%$
- 2.4 Linearity tolerance.....:  $\pm 0,25\%$
- 2.5 Insulation resistance.....: 1000 M-Ohm
- 2.6 Test voltage.....: 1000 V
- 2.7 Power rating.....: see table
- 2.8 Slider load current.....: Precision wire max. 20 mA, hybrid element max.10 mA
- 2.9 Temperature range.....: -25 °C ... +125 °C
- 2.10 Temperature coefficient.....: Precision wire winding 50 ppm/°C, hybrid 100 ppm/°C




Type		Turn ( rotation angle )	Rotation load life	Watt
DMG22 / 10 Ze	Precision wire	10 – turn ( 3600° )	1 x 10 <sup>6</sup>	2,0
DMG22 / 10 Ze Hy	Hybrid element		5 x 10 <sup>6</sup>	
DMG22 / 05 Ze	Precision wire	5 – turn ( 1800° )	5 x 10 <sup>5</sup>	1,5
DMG22 / 03 Ze	Precision wire	3 – turn ( 1080° )	3 x 10 <sup>5</sup>	1,0




Terminal plan		
Point	Function	Color
11	winding	brown
12	slider	white
13	winding	green


**Option – type of connection**



Solder connection  
DMG22



Terminal block  
DMG22



Cable connection 3 m  
DMG22

### Options

- Protection class IP65
- Protection class IP67
- Shaft and central fixing in inch
- Aluminum housing

### For your information!

Please note that because of missing material availability the wiper could be C7521 material instead of C7701. 25.08.22

Hy = Resistor element hybrid (not available in 2 K-Ohm)