

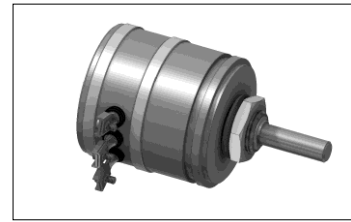
# Precision - Wirewound - Potentiometer DP113 Ze Hv Ff KL

Central fixing M12x1



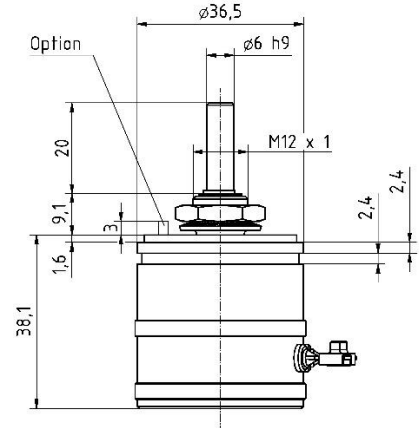
This robust Precision Wirewound Potentiometer is specifically designed for the use as manually adjustable potentiometer (setpoint adjuster) in rough industrial conditions (plant and machinery construction).

Various scales and control knobs can be supplied as accessories.



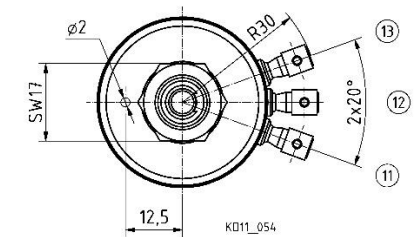
## Mechanical data

- 1.1 Housing..... : Aluminium
- 1.2 Shaft..... : Stainless steel  $\varnothing 6^{h9}$
- 1.3 Bearing..... : Maintenance-free sliding bearing
- 1.4 Resistor element..... : Precision wire winding
- 1.5 Slider tap / wiper tap..... : Noble metal, single
- 1.6 Protection class..... : IP64
- 1.7 Type of connection..... : Clamp connection
- 1.8 Mounted by..... : Central fixing M12x1
- 1.9 Electrical rotation angle..... : see table
- 1.10 Mechanical rotation angle..... : see table
- 1.11 Rotation speed..... : max. 60 rpm
- 1.12 Torque..... : Reset 5 Ncm on average
- 1.13 Spring reset..... : Central position
- 1.14 Rotation load life..... :  $1 \times 10^5$  slider path
- 1.15 End-stop strength..... : 150 Ncm



## Electrical data

- 2.1 Resistance values, standard..... : 1, 2, 5, 10 K-Ohm
- 2.2 Resistance values, max. possible.: see table
- 2.3 Resistance tolerance..... :  $\pm 3\%$
- 2.4 Lowest starting resistance..... : 0,05 % of overall resistance
- 2.5 Linearity tolerance..... :  $\pm 0,3\%$
- 2.6 Insulation resistance..... : 20 M-Ohm
- 2.7 Test voltage..... : 500 V, 50 Hz
- 2.8 Operating voltage..... : max. 50 V
- 2.9 Power rating..... : max. 2 Watt
- 2.10 Slider load current..... : 1 mA (max., load life)
- 2.11 Temperature range..... :  $-50\text{ }^\circ\text{C} \dots +100\text{ }^\circ\text{C}$
- 2.12 Temperature coefficient..... : 20 ppm/ $^\circ\text{C}$



Basic type/ Construction set	Type	Options			
		Spring reset	Electrical rotation angle	Mechanical rotation angle	Resistance values max.
Basic type	DP113 Ze Hv Ff KL				
Construction set	DP113 Ze Hv Ff 2x60°	Central position	2x60° $\pm 1^\circ$	2x62° $\pm 1^\circ$	20 K-Ohm
Construction set	DP113 Ze Hv Ff 2x90°		2x90° $\pm 1^\circ$	2x92° $\pm 1^\circ$	30 K-Ohm
Construction set	DP113 Ze Hv Ff 180°	Left-side-fixing	180° $\pm 1^\circ$	184° $\pm 1^\circ$	30 K-Ohm

## Options

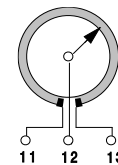
Short-circuit tracks  
Centre taps  
Resistance tolerance:  $\pm 1\%$   
Shaft: special length, continuous  
Slip coupling  
Protection class IP65  
Oil filling

## Accessories

Protective housing  
Adapter plate  
Bellows coupling  
Micro switch  
Rotary knob  
Scale

## Other types

Multiple version  
Cable connection  
  
Integrated measuring transducer  
0/4...20 mA or 0...10 VDC



Terminal plan	
Point	Function
11	winding
12	slider
13	winding

Sheet #: KE1131

Amendment/ Print: 22.08.25 / 22.08.25