

Mechanical data

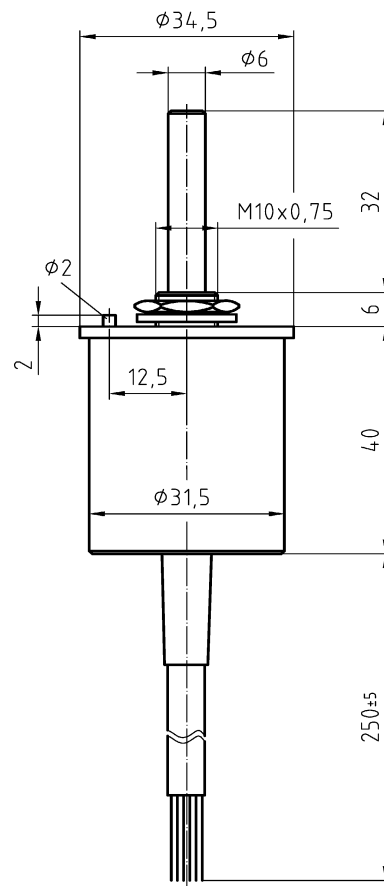
- 1.1 Housing..... : Glass fibre reinforced plastic
- 1.2 Shaft..... : Plastic $\phi 6$, L = 32 mm
- 1.3 Type of connection..... : Cable connection
- 1.4 Fixing element..... : Central fixing M10x0,75
- 1.5 Mechanical rotation angle..... : 300°
- 1.6 Electrical rotation angle..... : 270°
- 1.7 Torque..... : < 4,0 Ncm
- 1.8 Life cycle..... : 15.000 cycles
- 1.9 Shock resistance : 80 Ncm
- 1.10 Temperature range..... : -25 °C ... +70 °C

Electrical data

- 2.1 Resistance value..... : 4,7 K-Ohm
- 2.2 Resistance tolerance..... : $\pm 20 \%$
- 2.3 Insulation resistance..... : 50 G-Ohm
- 2.4 Test voltage..... : 3 KV

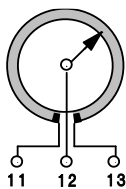
Electrical switch data

- 3.1 Switch data..... : 4 A/ 250 VAC



KK08042_01

Terminal plan
clockwise function



Point	Functions	Colour
11	winding	green
12	slider	white
13	winding	brown
14	switch	yellow
15	free	rose
16	closer	grey

Sheet #: KE080422

Amendment/ Print: 21.08.25 / 21.08.25

Order #: 106731