

Precision Conductive Plastic Potentiometer LPT18 St / Lt

Plug or solder connection, Maintenance-free sliding bearing

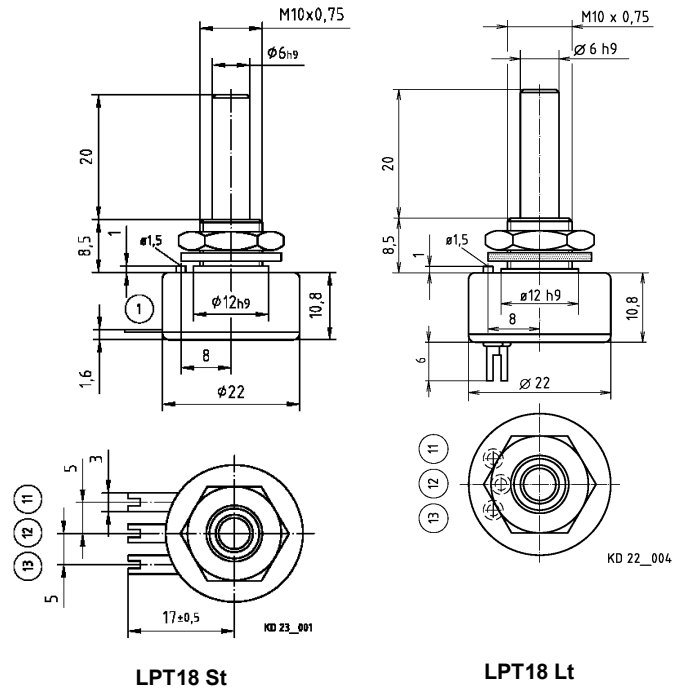


Mechanical Data

- 1.1 Housing..... : Reinforced glass-fibre plastic
- 1.2 Shaft..... : Stainless steel $\phi 6^{h9}$
- 1.3 Bearing..... : Maintenance-free sliding bearing
- 1.4 Resistor element..... : Conductive plastic
- 1.5 Slider tap / wiper tap..... : Noble metal, multiple
- 1.6 Housing protection class..... : IP60
- 1.7 Type of connection..... : see table
- 1.8 Mounted by..... : Central fixing M10x0,75
- 1.9 Mechanical rotation angle..... : see table
- 1.10 Electrical rotation angle..... : see table
- 1.11 Rotation speed..... : max. 500 rpm
- 1.12 Torque..... : max 1,5 Ncm
- 1.13 Rotation life-time..... : 1×10^8 slider path (360°)
- 1.14 End-stop strength..... : 50 Ncm

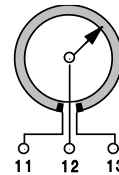
Electrical Data

- 2.1 Resistance values, standard... : see table
- 2.2 Resistance tolerance..... : see table
- 2.3 Linearity tolerance..... : $\pm 2 \%$
- 2.4 Insulation resistance..... : 20 M-Ohm
- 2.5 Test voltage..... : 500 V, 50 Hz
- 2.6 Power rating..... : max. 1 Watt
- 2.7 Slider load current..... : 1 mA (max. load life)
- 2.8 Temperature range..... : $-20 \text{ }^\circ\text{C} \dots +100 \text{ }^\circ\text{C}$
- 2.9 Temperature coefficient..... : $\pm 500 \text{ ppm}/^\circ\text{C}$



Attention!
Soldering time: max. 5 sec
Soldering temperature: max. 350°

Type	Connection
LPT18 St	plug connection
LPT18 Lt	solder connection



Terminal plan	
Point	Function
11	resistance
12	slider
13	resistance

Resistance	Electr. rotation angle	Tolerance	Mechan. rotation angle	Application purpose
1K	320°	15 %	320°	voltage divider
2K	320°	15 %	320°	voltage divider
10K	270°	10 %	280°	voltage divider

Other values upon request.

Options

Shaft: special lengths, special versions
Torque increased: max. 12 Ncm
Protection class upto IP67, shaft-side
Protection class upto IP67* complete

Accessories

Protective housing
Bellows coupling
Slip coupling
Scale 0 ... 100 %
Rotary knob
Terminal wires

* Potentiometer housing encapsulated, protection class IP65/67, connections are free.
Completely encapsulated potentiometers are supplied with cable and protective housing.