

Precision Wirewound Potentiometer T18

Single and Multiple Version

Mechanical Data

- 1.1 Housing..... : Plastic
- 1.2 Shaft..... : Stainless steel $\varnothing 6^{h9}$
- 1.3 Bearing..... : Maintenance-free sliding bearing
- 1.4 Resistor element..... : Precision wire winding
- 1.5 Slider tap / wiper tap..... : Noble metal, single
- 1.6 Protection class..... : IP60
- 1.7 Mounted by..... : Central fixing M10x0,75
- 1.8 Mechanical rotation angle..... : $320^\circ +5^\circ$
- 1.9 Electrical rotation angle..... : $320^\circ -1^\circ +2^\circ$
- 1.10 Rotation speed..... : max. 60 rpm
- 1.11 Torque..... : see table
- 1.12 Rotation life-time..... : 1×10^6 slider path (360°)
- 1.13 End-stop strength..... : 50 Ncm



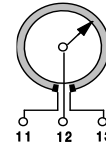
Electrical Data

- 2.1 Resistance values, standard..... : 1, 2, 5, 10 K-Ohm
- 2.2 Resistance values, max..... : 10 K-Ohm
- 2.3 Resistance tolerance..... : $\pm 5\%$
- 2.4 Max. starting resistance..... : 1 % of total resistance
- 2.5 Linearity tolerance..... : $\pm 0,5\%$
- 2.6 Insulation resistance..... : 1000 M-Ohm
- 2.7 Test voltage..... : 500 V, 50 Hz
- 2.8 Operating voltage..... : max. 50 V
- 2.9 Power rating..... : max. 1,5 Watt
- 2.10 Slider load current..... : 1 mA (max., load life)

Environmental Conditions

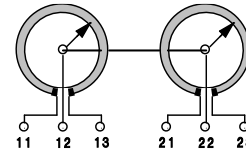
- 3.1 Temperature range..... : $-40^\circ\text{C} \dots +125^\circ\text{C}$
- 3.2 Temperature coefficient..... : 50 ppm/ $^\circ\text{C}$

T18



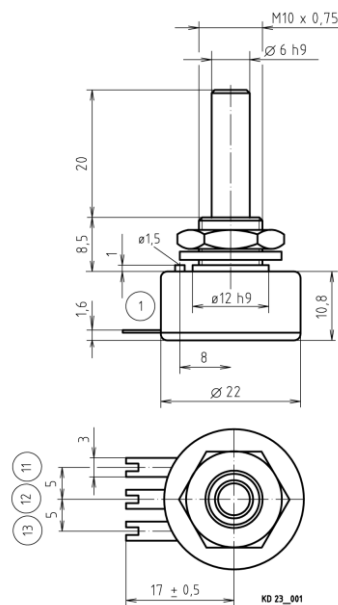
Terminal Plan function right handed		
Point	Function	Colour
11	winding	green
12	slider	white
13	winding	brown

T18 D2

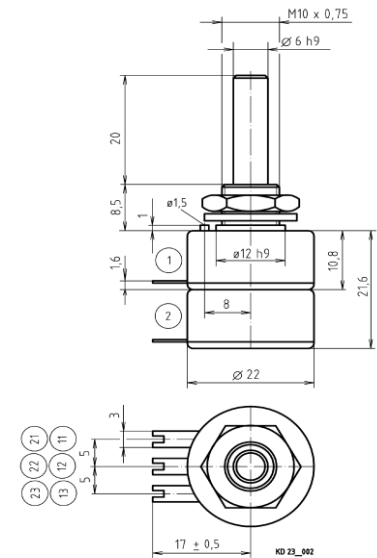


Terminal Plan	
Point	Function
11	winding 1
12	slider 1
13	winding 1
21	winding 2
22	slider 2
23	winding 2

Type: T18
Standard



Type: T18 D2



Shaft protection class	Torque
IP 60 (Standard)	max. 1,0 Ncm
IP 65 (Option)	0,2 ... 3,0 Ncm
IP 67 (Option)	1,0 ... 3,0 Ncm