

# Precision Conductive Plastic Potentiometer LPT18 St / Lt

Plug or solder connection, Maintenance-free sliding bearing

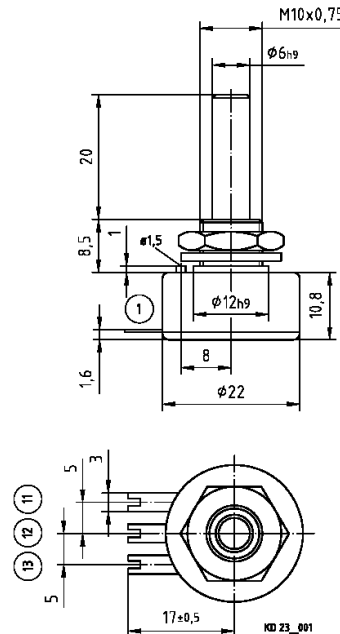


## Mechanical Data

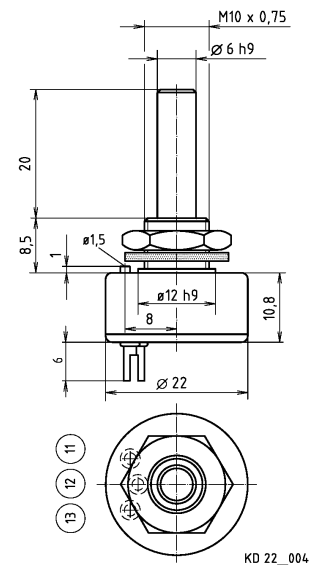
- 1.1 Housing..... : Reinforced glass-fibre plastic
- 1.2 Shaft..... : Stainless steel  $\phi 6^{h9}$
- 1.3 Bearing..... : Maintenance-free sliding bearing
- 1.4 Resistor element..... : Conductive plastic
- 1.5 Slider tap / wiper tap..... : Noble metal, multiple
- 1.6 Housing protection class..... : IP60
- 1.7 Type of connection..... : see table
- 1.8 Mounted by..... : Central fixing M10x0,75
- 1.9 Mechanical rotation angle..... : see table
- 1.10 Electrical rotation angle..... : see table
- 1.11 Rotation speed..... : max. 500 rpm
- 1.12 Torque..... : max 1,5 Ncm
- 1.13 Rotation life-time..... :  $1 \times 10^8$  slider path (360°)
- 1.14 End-stop strength..... : 50 Ncm

## Electrical Data

- 2.1 Resistance values, standard... : see table
- 2.2 Resistance tolerance..... : see table
- 2.3 Linearity tolerance..... :  $\pm 2 \%$
- 2.4 Insulation resistance..... : 20 M-Ohm
- 2.5 Test voltage..... : 500 V, 50 Hz
- 2.6 Power rating..... : max. 1 Watt
- 2.7 Slider load current..... : 1 mA (max. load life)
- 2.8 Temperature range..... :  $-20 \text{ }^\circ\text{C} \dots +100 \text{ }^\circ\text{C}$
- 2.9 Temperature coefficient..... :  $\pm 500 \text{ ppm}/^\circ\text{C}$



LPT18 St

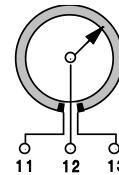


LPT18 Lt

### Attention!

Soldering time: max. 5 sec  
Soldering temperature: max. 350°

Type	Connection
LPT18 St	plug connection
LPT18 Lt	solder connection



Terminal plan	
Point	Function
11	resistance
12	slider
13	resistance

Resistance	Electr. rotation angle	Tolerance	Mechan. rotation angle	Application purpose
1K	320°	15 %	320°	voltage divider
2K	320°	15 %	320°	voltage divider
10K	270°	15 %	280°	voltage divider

Other values upon request.

## Options

Shaft: special lengths, special versions  
Torque increased: max. 12 Ncm  
Protection class upto IP67, shaft-side  
Protection class upto IP67\* complete

## Accessories

Protective housing  
Bellows coupling  
Slip coupling  
Scale 0 ... 100 %  
Rotary knob  
Terminal wires

\* Potentiometer housing encapsulated, protection class IP65/67, connections are free.  
Completely encapsulated potentiometers are supplied with cable and protective housing.